

DA-LP1101R / DA-LP1101T



Long Reach PoE Extender

- Up to 500meters PoE transmission between devices using UTP cabling
- Supports 1Gbps / IEEE802.3at for PoE Injector
- Up to 700meters DATA transmission between equipments using UTP cabling
- Supports 1Gbps / IEEE802.3at / 100meters for PoE Repeater
- Plug-and-play without any required PC setting
- Supports 10 / 100Mbps for Long Reach PoE extender

SPECIFICATIONS

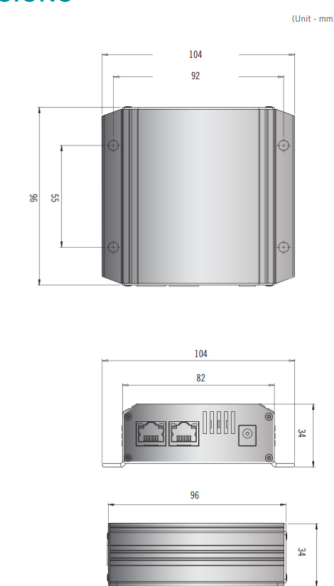
PoE INJECTOR / REPEATER FUNCTION	
port	RJ45 x1 with PD RJ45 x1 with PSE
connectivity	RJ45, Auto-MDI/MDI-X Sensing
Power Input	IEEE 802.3at, 48 ~ 56V DC
Power Output	Max. 720mA
PoE Standard	IEEE 802.3at PD IEEE 802.3at PSE
PSE Budget	up to 30W
Speed	10/100/1000Mbps
LONG REACH PoE EXTENDER FUNCTION	
port	RJ45 x1 with PD RJ45 x1 with PSE
connectivity	RJ45, Auto-MDI/MDI-X Sensing
Power Input	IEEE 802.3at, 48 ~ 56V DC
Power Output	Max. 720mA
PoE Budget	Up to 30W(Depending on Cable Distance and Power Input)
cable	UTP CAT5E or Above
Speed	10/100Mbps
LEDs and BUTTON	
Link Status LED	2 Yellow LED(Link/Activity LED per Ethernet port)
PoE Status	1 Green LED(PSE LED)
Reset Button	None
Power LED	1 Green LED
GENERAL	
Dimensions (W x H x D)	104 x 34 x 96(mm)
Unit Weight	226g
Operating Temperature	-10°C ~ 50°C
Operating Humidity	0% ~ 90%
Power Input	56VDC
Power Consumption	56V±, 0.786A, 44W
Approvals	KC, CE, FCC



PRODUCT IMAGE



DIMENSIONS



(Unit - mm)